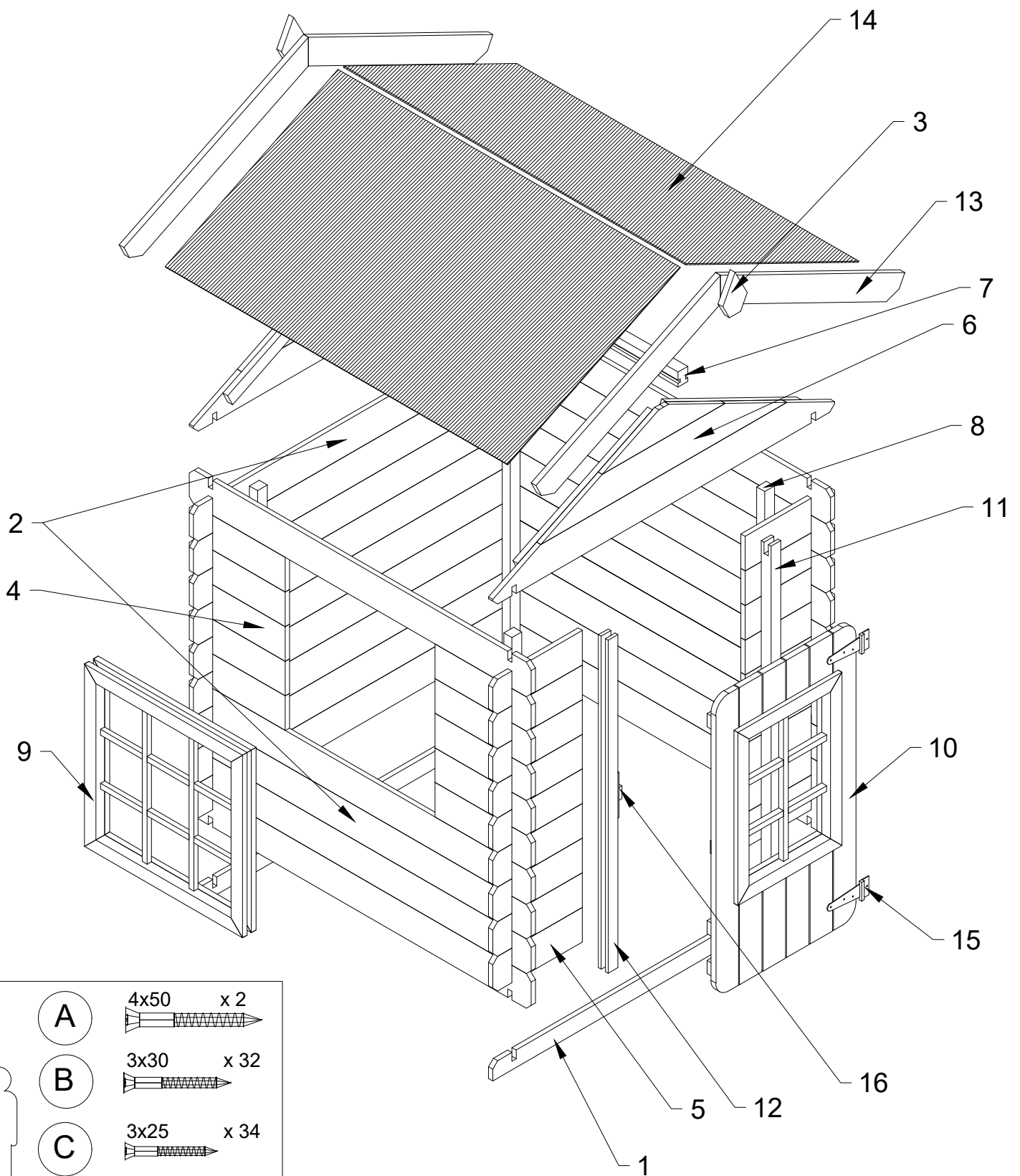
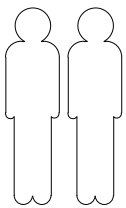
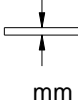
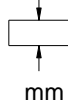
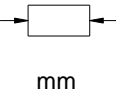
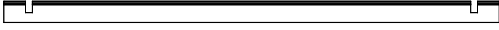





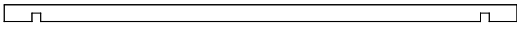
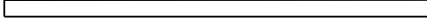
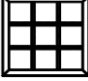
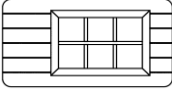
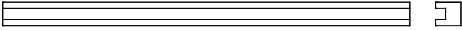
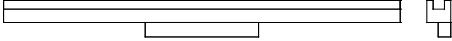
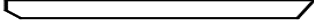

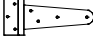
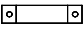


M570

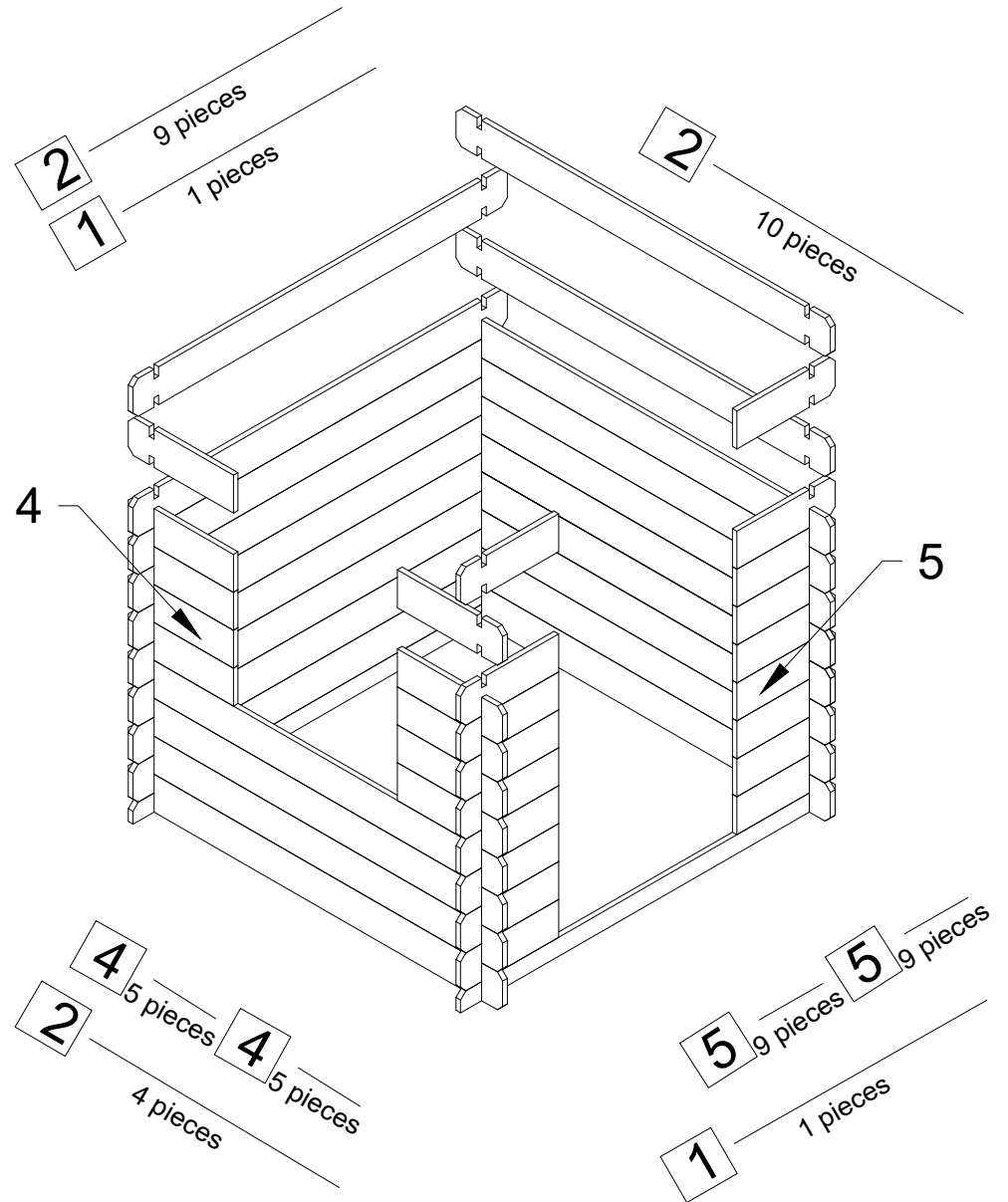
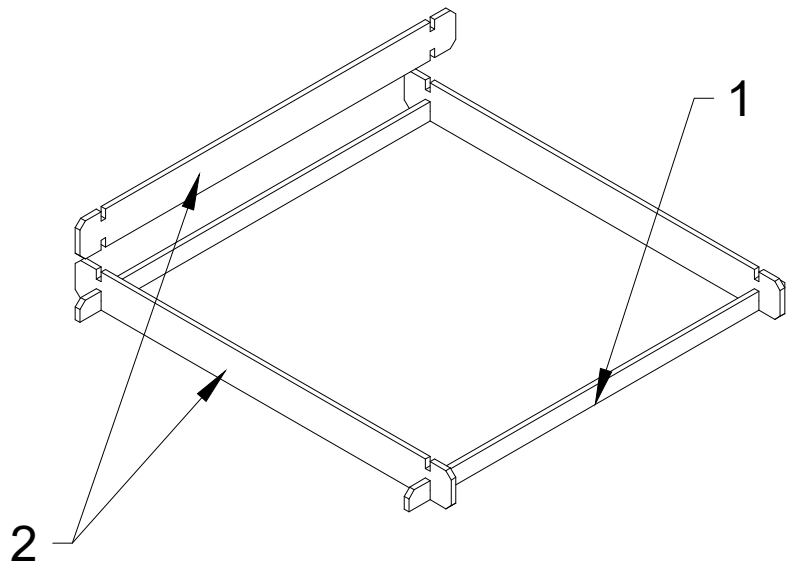


- | | | |
|----------|--------|------|
| A | 4x50 | x 2 |
| B | 3x30 | x 32 |
| C | 3x25 | x 34 |
| D | 3x12 | x 3 |
| E | 4.2x32 | x 2 |
| F | 4.2x13 | x 12 |

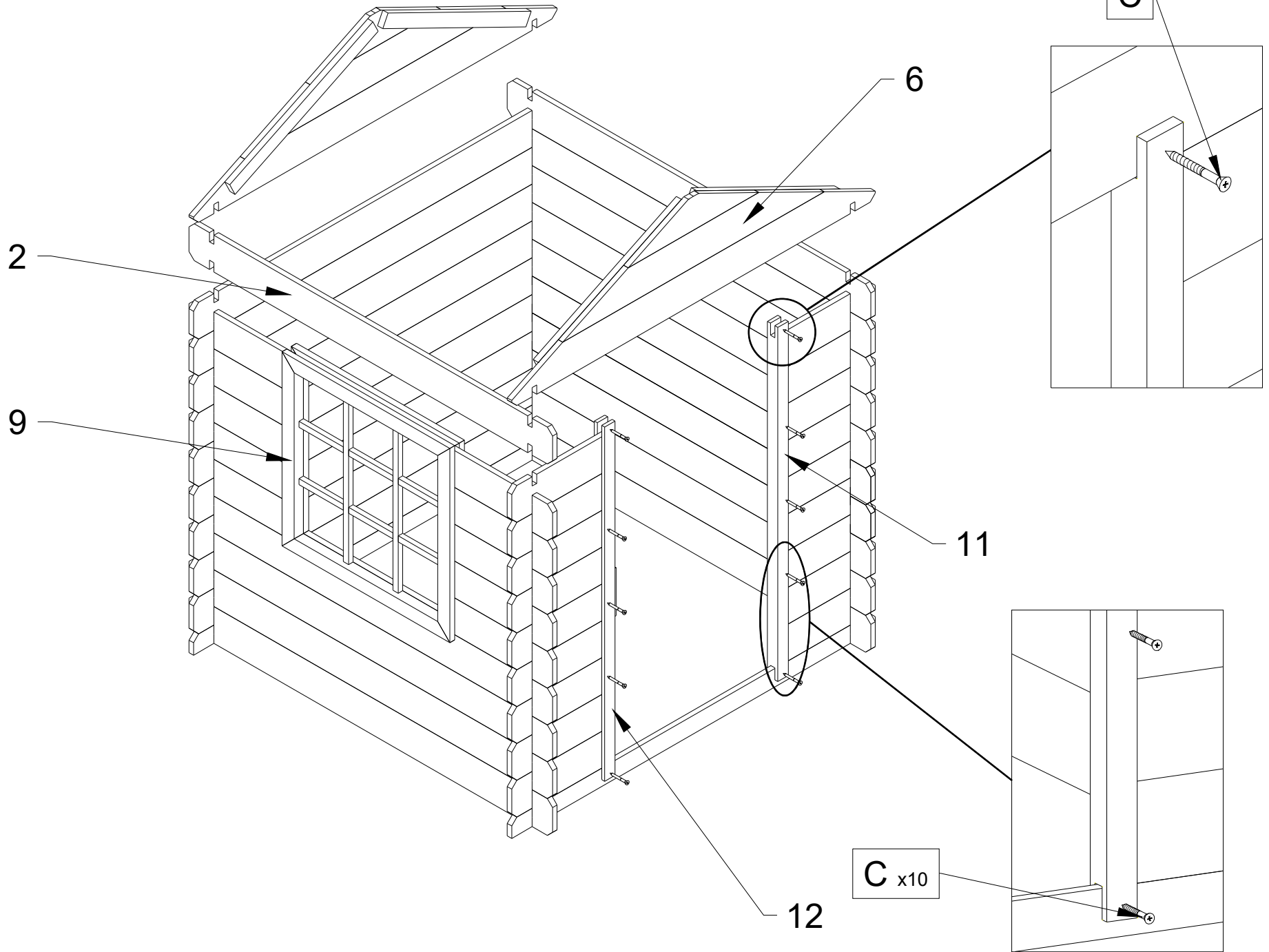


№		PCS	 mm	 mm	 mm
1		2	13	46	1050
2		24	13	92	1050
3		2	15	75	140
4		10	13	92	295
5		18	13	92	275
6		2		269	1050
7		1	30	40	1050
8		4	25	30	900
9		1		485	485
10		1		430	790
11		1	30	30	885
12		1		30	885
13		4	15	69	630
14		2	3	590	1050
15		2			
16		1			

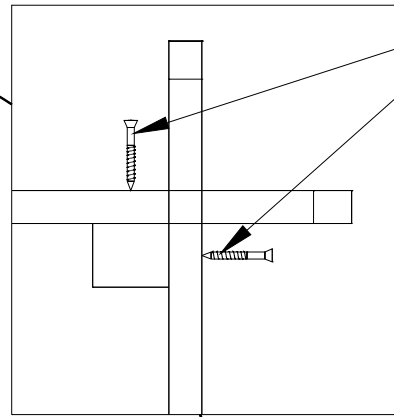
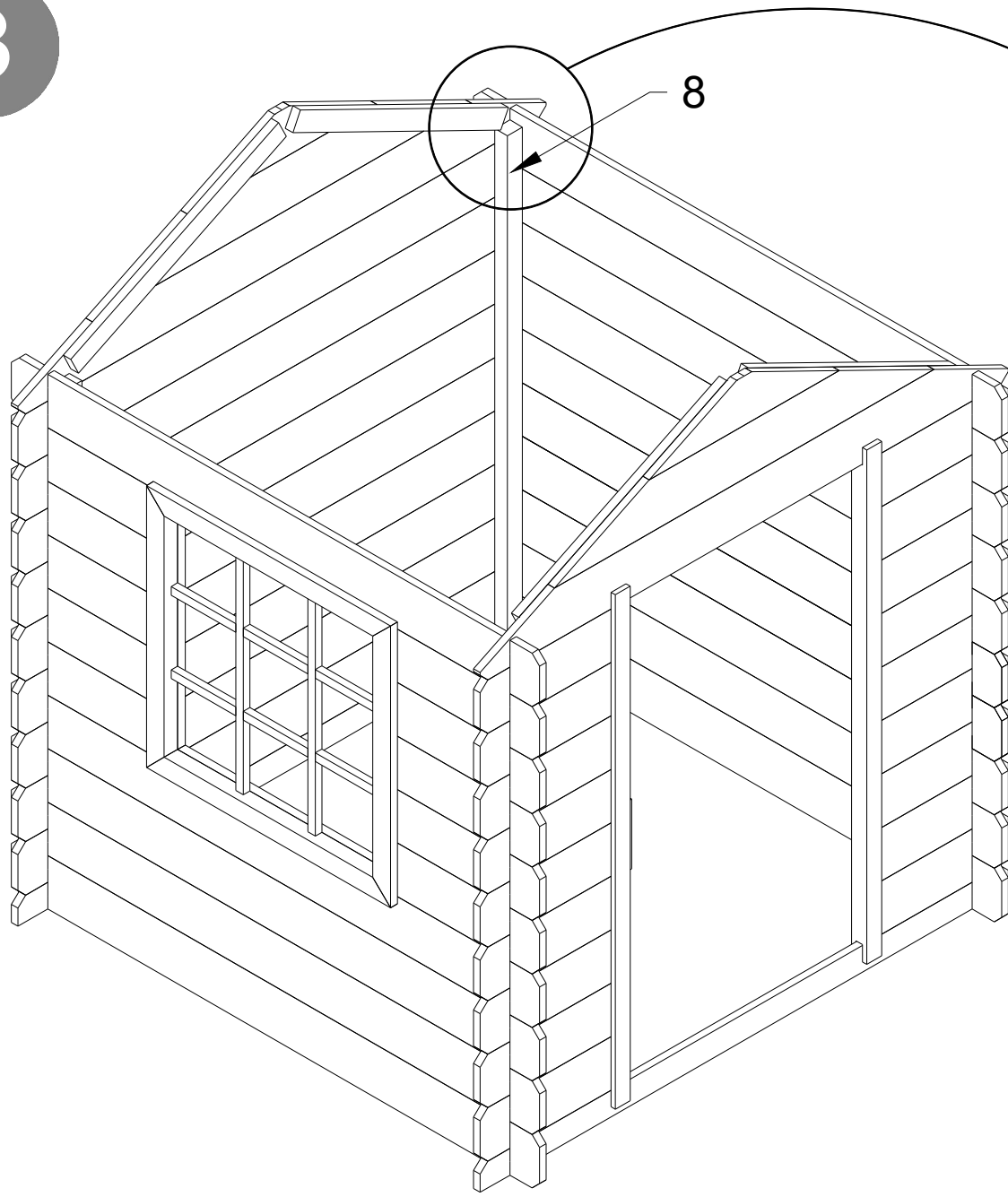
1



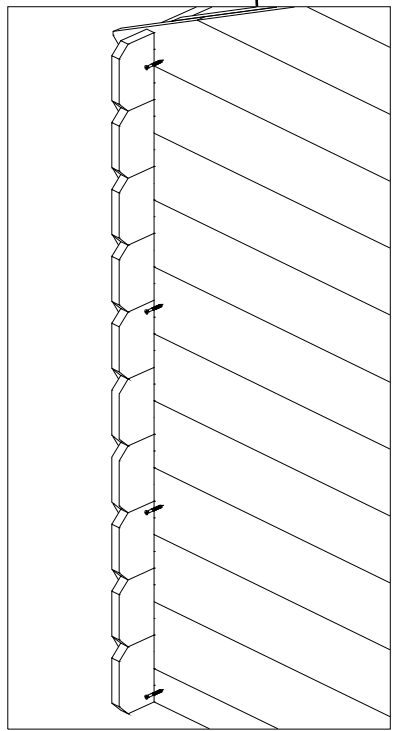
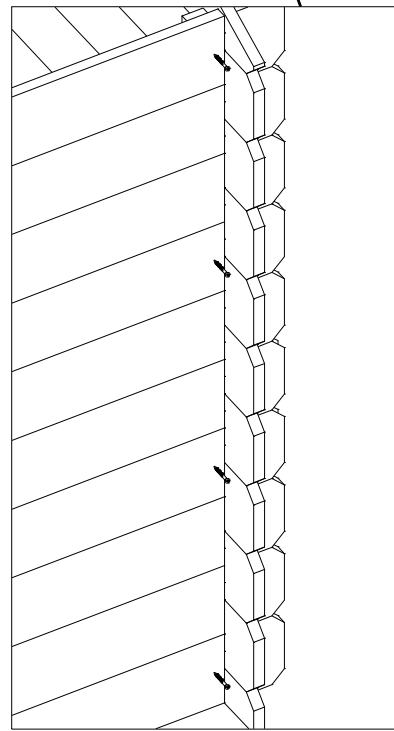
2



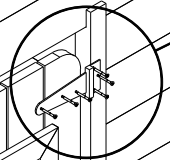
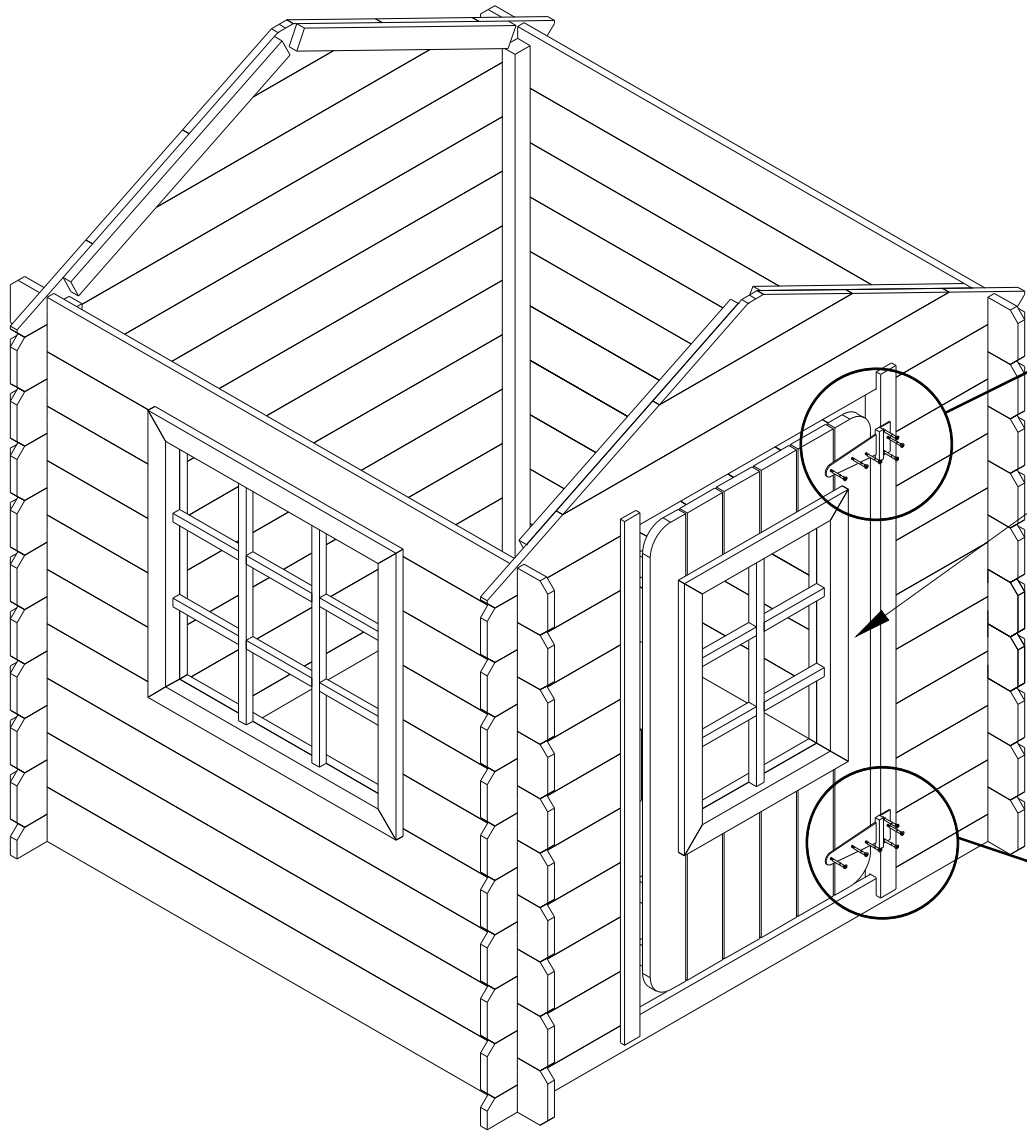
3



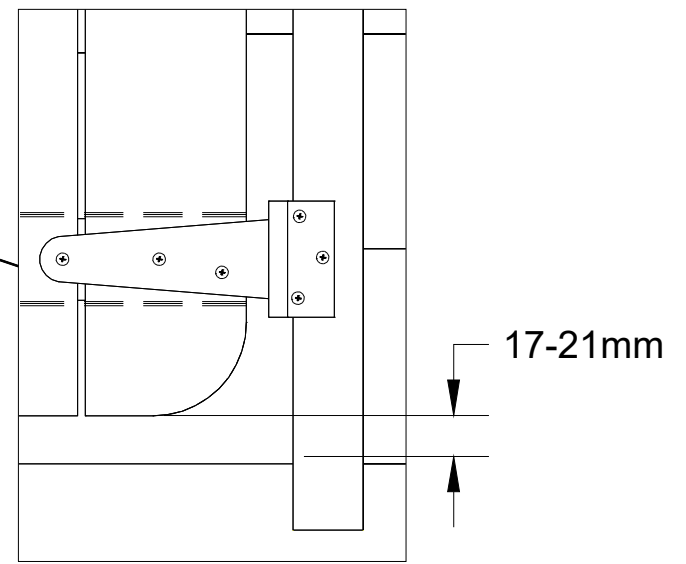
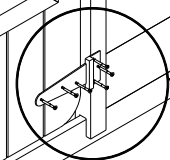
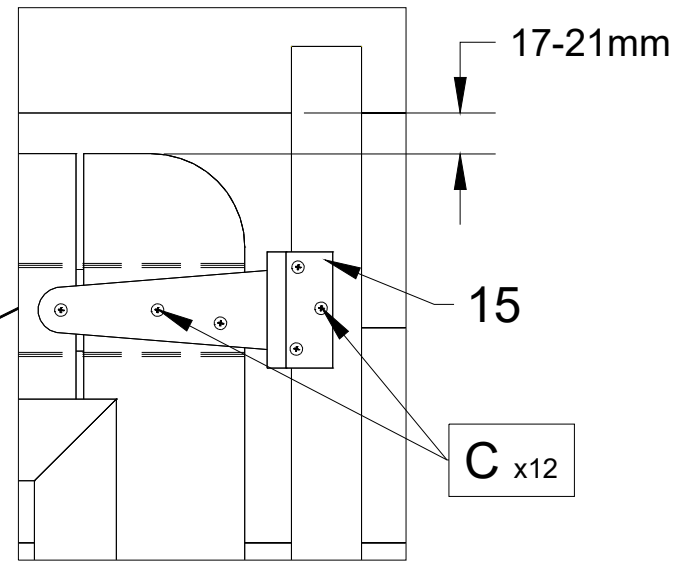
B x32



4

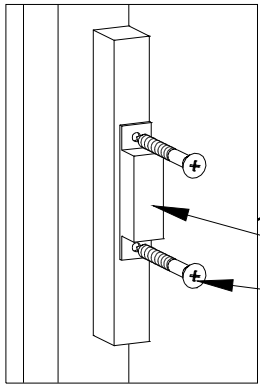
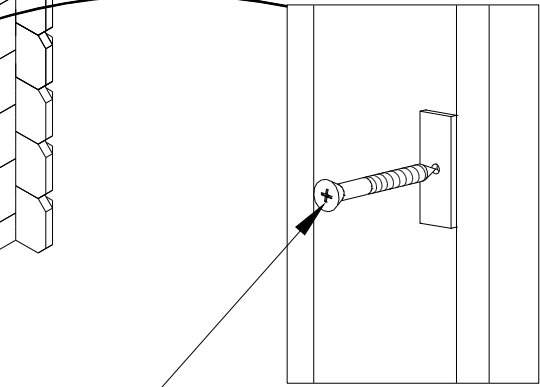
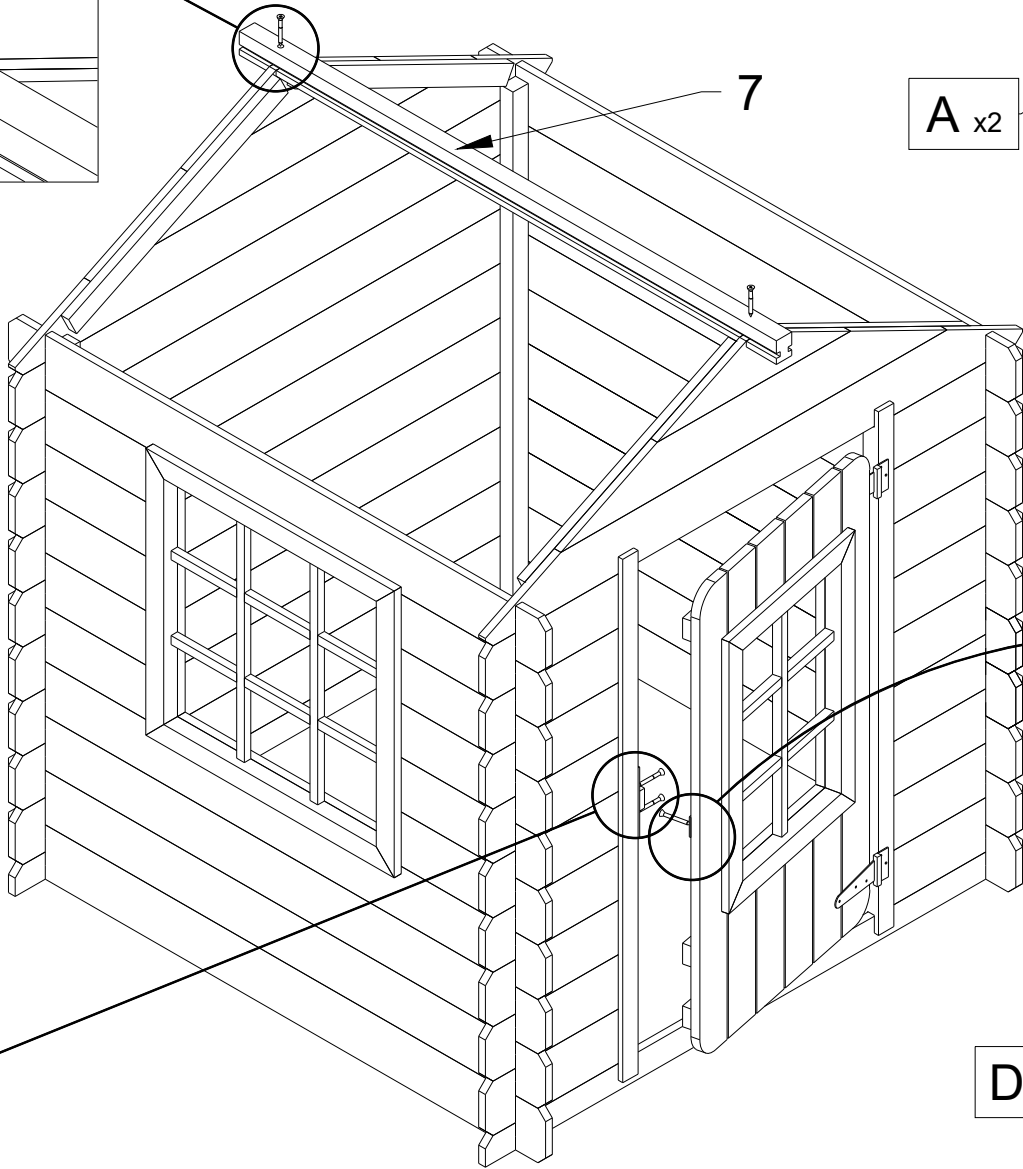
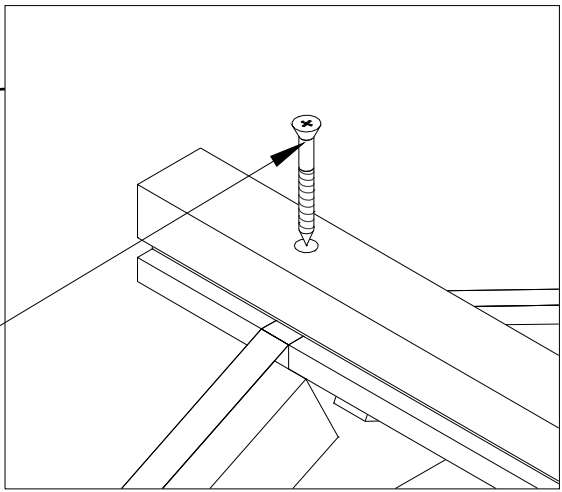
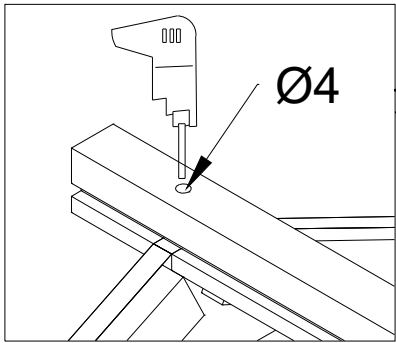


10



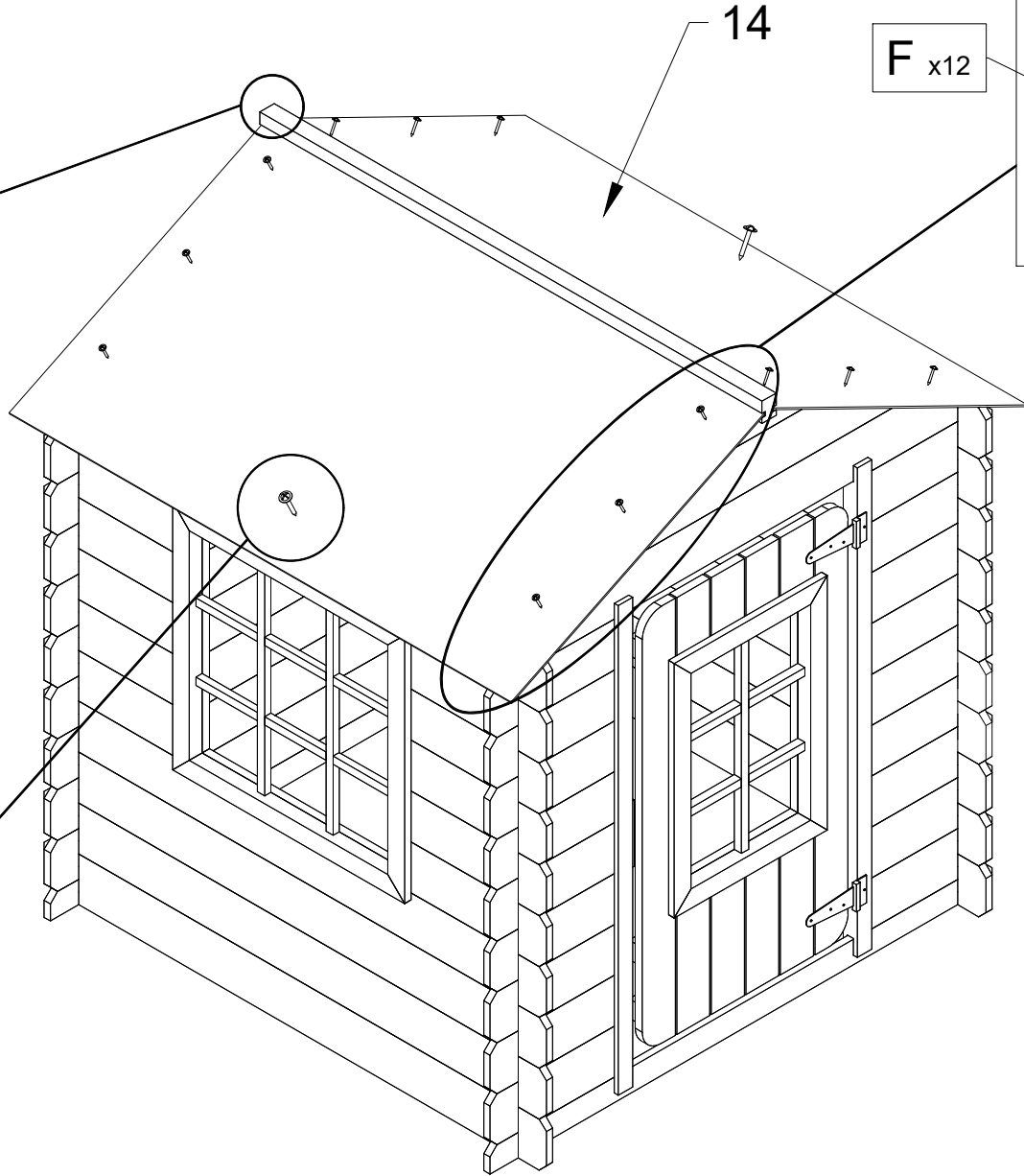
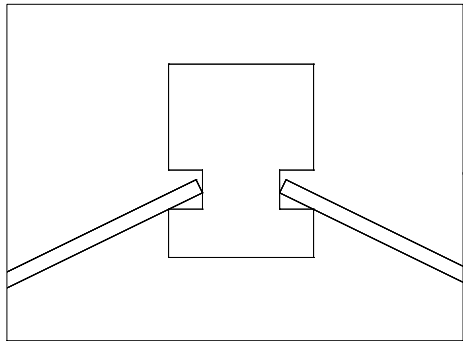
17-21mm

5

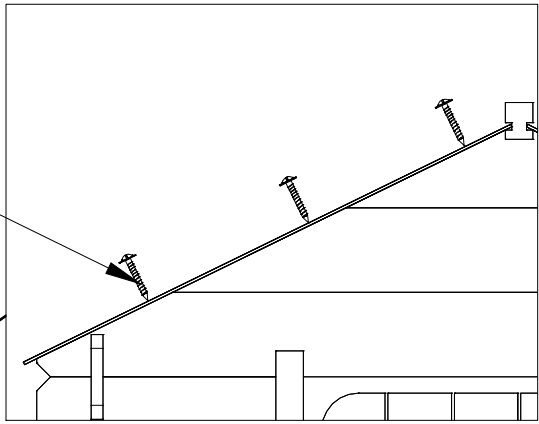


D x2

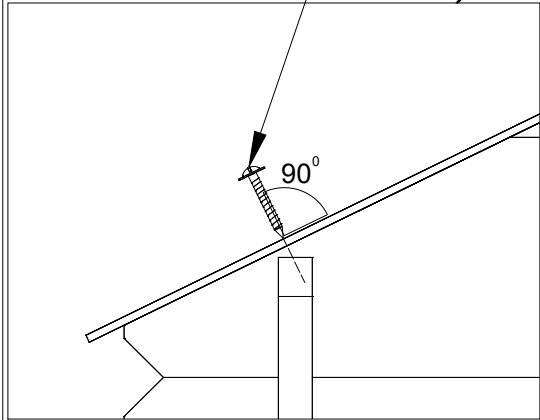
6



F x12



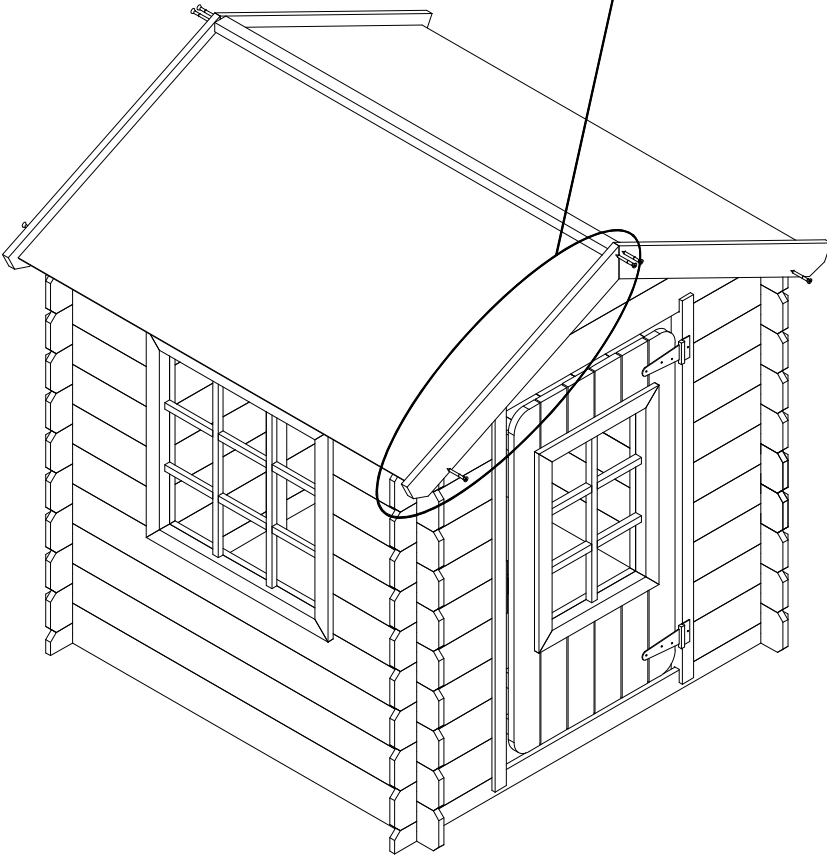
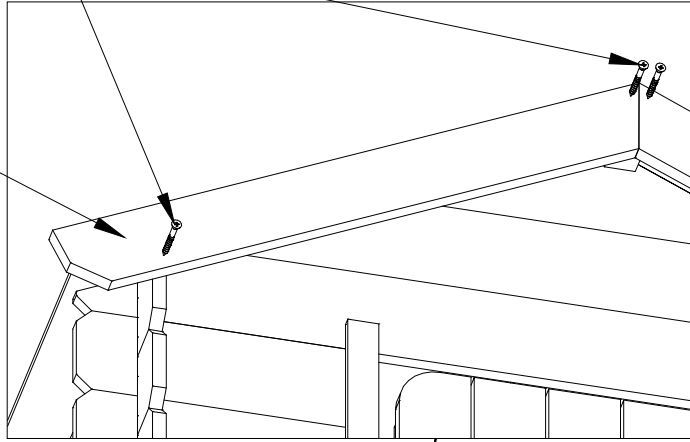
E x2



7

C x8

13



C x4

3

